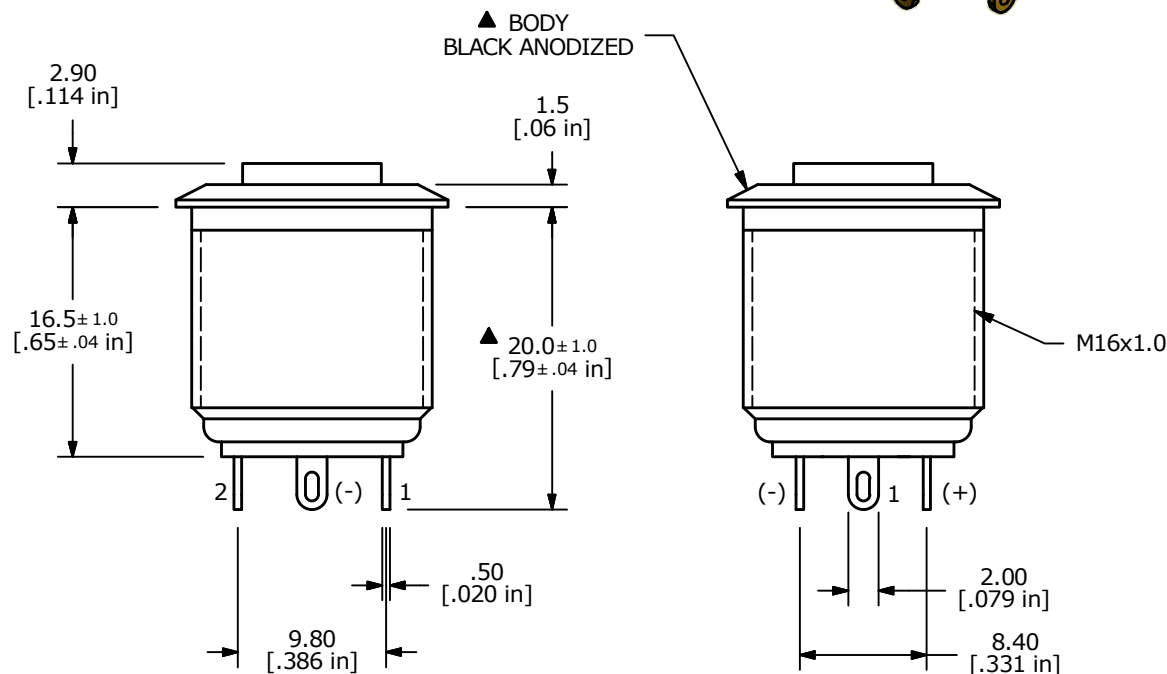
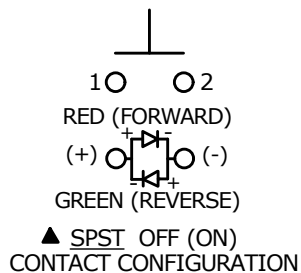


| SWITCH FUNCTION | |
|-----------------|--------|
| POS. 1 | POS. 2 |
| | |
| OFF | (ON) |
| OPEN | 1-2 |

(ON) = MOMENTARY



- NOTE:
1. ALL DIMENSIONS IN MM [INCH]
 2. GENERAL TOLERANCE: X.X = ±0.4
X.XX = ±0.25
 3. TERMINAL NUMBERS FOR REF ONLY
 - ▲ 4. CONTACT MATERIAL: SILVER
 5. RATING: 2A 48VDC
 6. ELECTRIC LIFE: 50,000 MAKE-AND-BREAK CYCLES AT FULL LOAD.
 7. INSULATION RESISTANCE: 1,000MΩ MIN.
 8. DIELECTRIC STRENGTH: 2,000VAC MIN. FOR 1 MINUTE
 9. CONTACT RESISTANCE: 50mΩ MAX. @ 1A 12VDC
 10. OPERATING TEMP.: -20°C to 55°C
 - ▲ 11. TRAVEL: 1.8mm
 12. ▲ DENOTES CRITICAL PARAMETER.
 - ▲ 13. HARDWARE SUPPLIED: O-RING AND HEXNUT (NOT SHOWN)
 - ▲ 14. ILLUMINATION VOLTAGE RATING: 1.8V (FORWARD), 2.8 (REVERSE)
 15. 2002/95/EC (ROHS) COMPLIANT



| | | | | |
|-----|--------|------------------------|----------|----|
| A | 22095 | RELEASE FOR PRODUCTION | 12/18/15 | MW |
| REV | PCR NO | DESCRIPTION | DATE | BY |

| | | | | |
|---------------------|-----------------|-------|---------------------|-------|
| TITLE PV6H24011-3G1 | | | | |
| SCALE 2:1 | DATE 12/18/2015 | DR MW | DWG 52-PV6H240113G1 | REV A |

THE INFORMATION CONTAINED IN THIS DOCUMENT IS PROPRIETARY TO E-SWITCH AND IS NOT TO BE COPIED OR TRANSFERRED